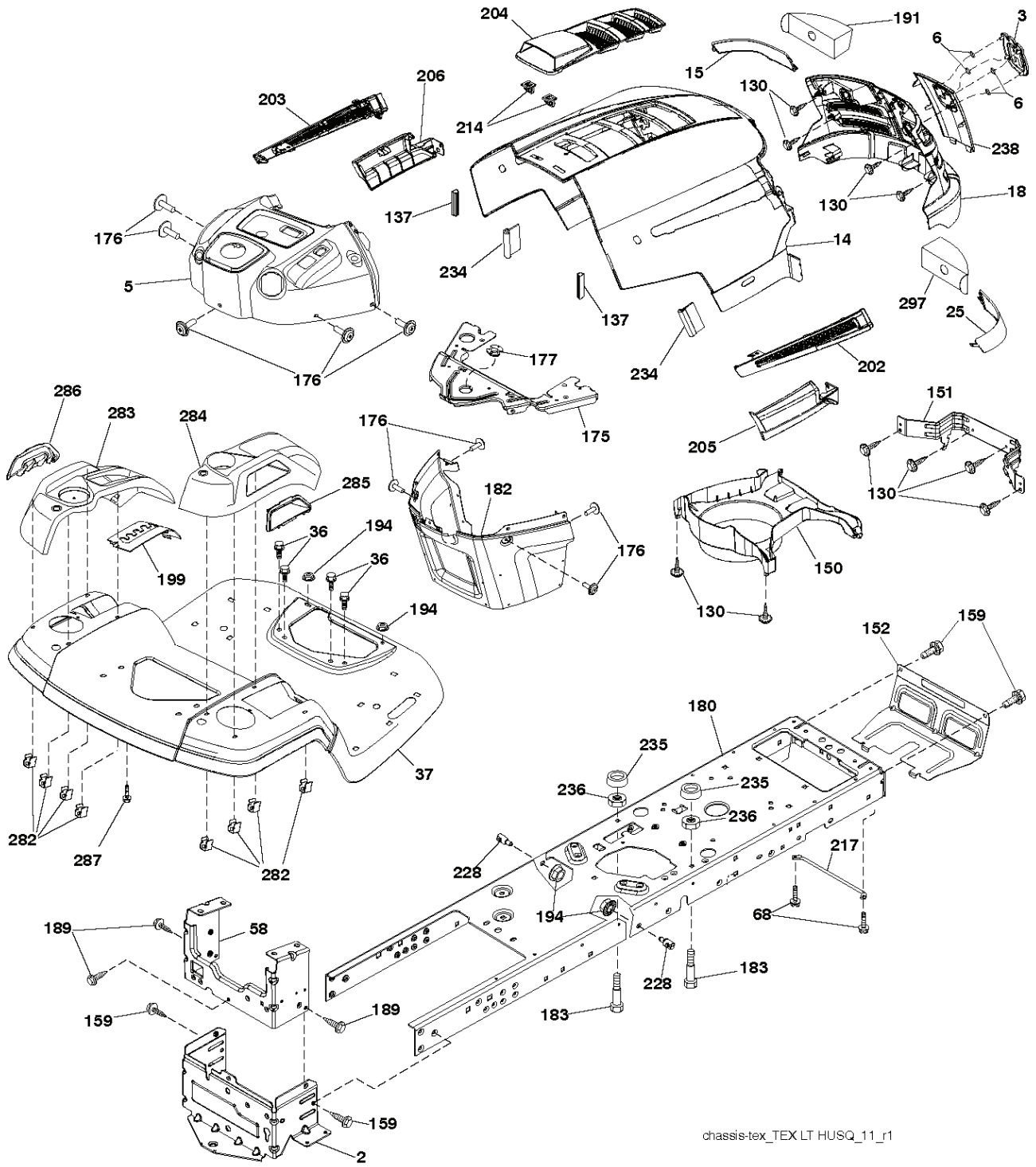


**RESERVDELSKATALOG**  
**: HUSQVARNA**

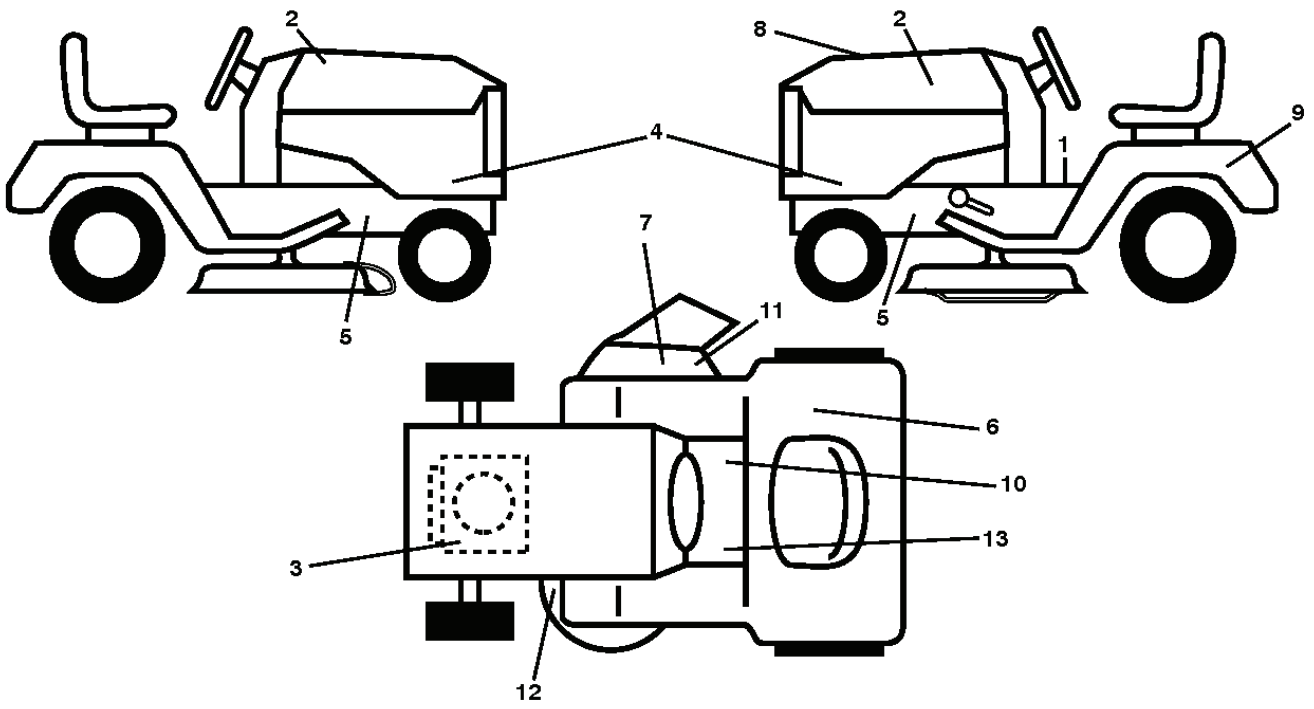
Reservdelslista

---

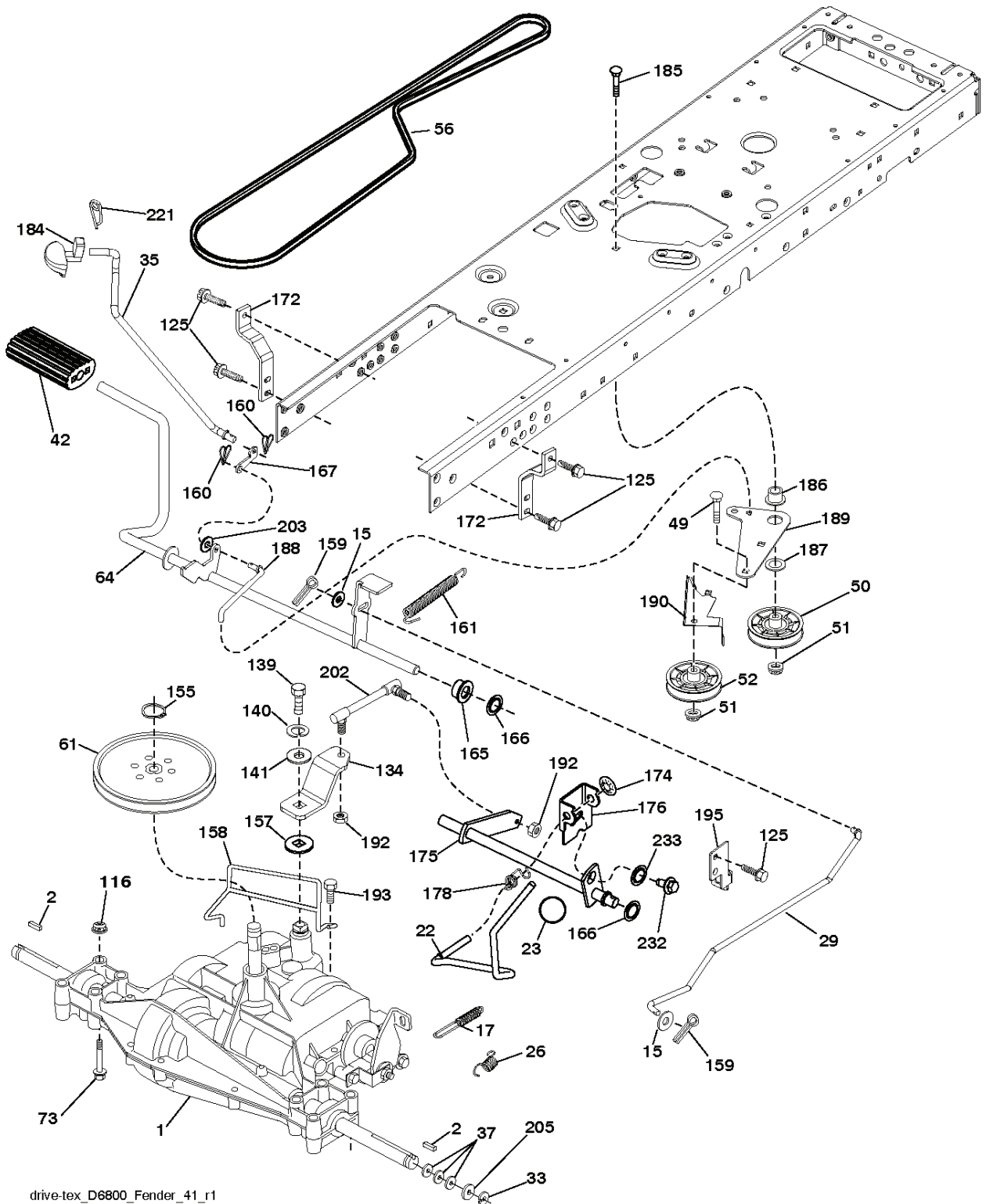
# **RESERVDELSLISTA**



REF.	ART. NR	ARTIKELBESKRIVNING	ANMÄRKNING	KIT
2	532412282	PLATTA		1
3	532405012	LOGOTYP		1
5	532407592	PANEL		1
6	532404883	KLÄMMA		1
14	532411073	HUV		1
15	532411079	LINS		1
18	532406667	FRAMKÅPA		1
25	532411078	LINS		1
36	817060512	SCREW		1
37	532416307	STÄNKSKÄRM		1
58	532412280	PLATTA		1
68	817490508	SCREW		1
130	532416358	SCREW		1
137	532407590	DAMPING PIECE		1
150	532407537	LUFTLEDARE		1
151	532407807	FÄSTE		1
152	532194329	SKÄRM		1
159	817000612	SCREW		1
162	532142432	SCREW		1
175	532199472	PLATTA		1
176	532400776	SCREW		1
177	532195228	BUSHING		1
180	532194260	CHASSI		1
182	532407176	PANEL		1
183	874780520	BULT		1
189	817000512	SCREW		1
191	532416500	INSATS		1
194	873900500	MUTTER		1
195	532411115	PLUGG		1
199	532413485	PLATTA		1
202	532411074	LUFTLEDARE		1
203	532411075	LUFTLEDARE		1
204	532411116	LUFTLEDARE		1
205	532411076	STÄNKSKÄRM		1
206	532411077	STÄNKSKÄRM		1
214	532199145	KLÄMMA		1
217	532409167	STÄNG		1
228	532195161	STUD		1
234	532404742	DAMPING PIECE		1
235	532406129	DISTANSBRICKA		1
236	873930500	MUTTER		1
238	532411119	FRAMKÅPA		1
282	532414110	KLÄMMA		1
283	532416316	KONSOL		1
284	532416314	KONSOL		1
285	532416315	KONSOL		1
286	532416317	KONSOL		1
287	817600406	SCREW		1
297	532406665	INSATS		1



REF.	ART. NR	ARTIKELBESKRIVNING	ANMÄRKNING	KIT
1	532400389	DEKAL		1
2	532422012	DEKAL		1
3	532196841	DEKAL		1
4	532408596	DEKAL		1
5	532159736	DEKAL		1
6	532180432	DEKAL		1
7	532182166	DEKAL		1
8	532408771	DEKAL		1
9	532145005	DEKAL		1
10	532140837	DEKAL		1
11	532196357	DECALC."DANGER DEFLECTEUR"		1
12	532194302	DECALC.SCHEMA MONTAGE		1
13	532159737	DEKAL		1
--	532410805	DYNA		1
--	532411056	DYNA		1
--	532162598	DEKAL		1
--	532407808	OPERATOR'S MANUAL		1
--	532407809	OPERATOR'S MANUAL		1
--	532407810	OPERATOR'S MANUAL		1
--	532407811	OPERATOR'S MANUAL		1

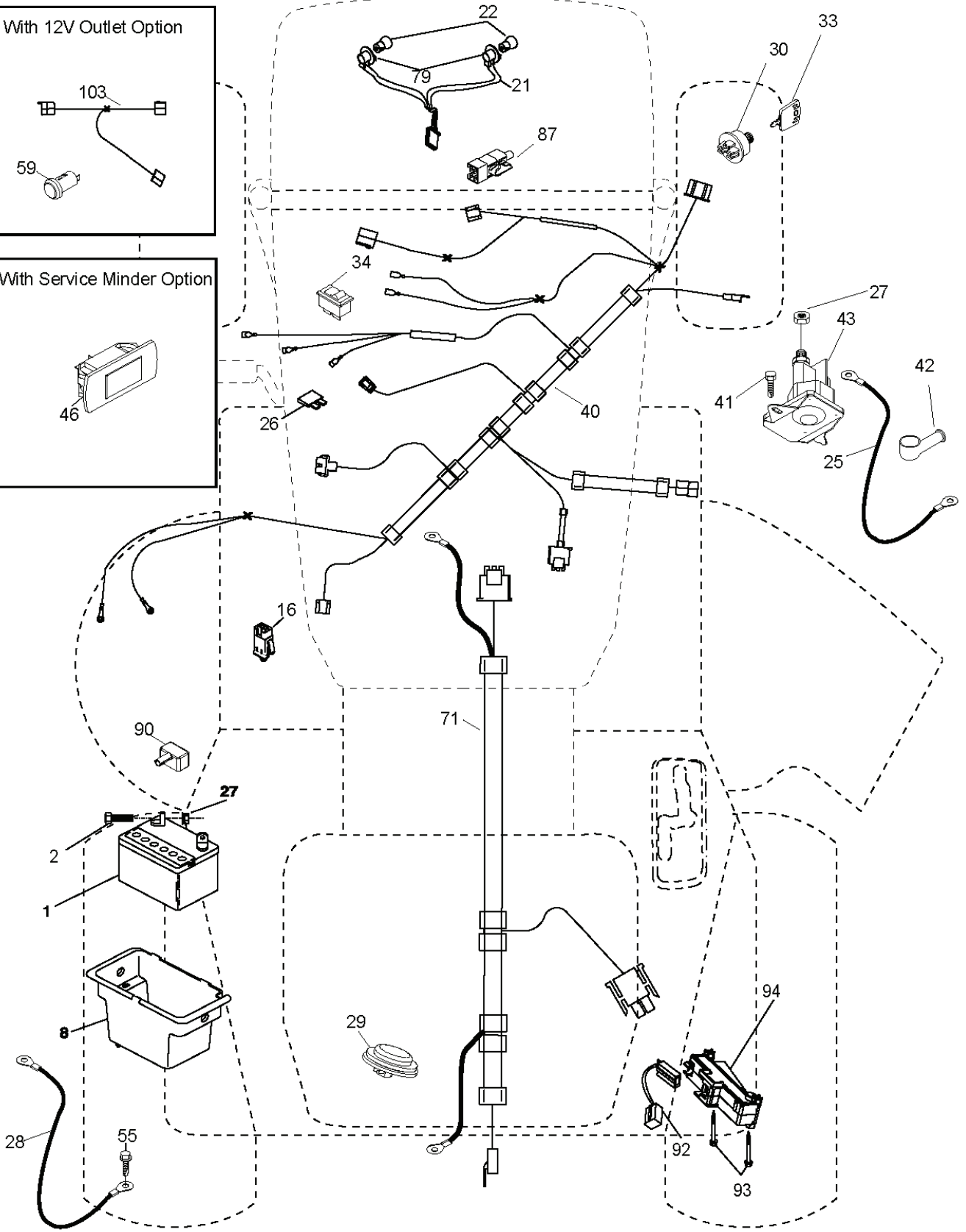
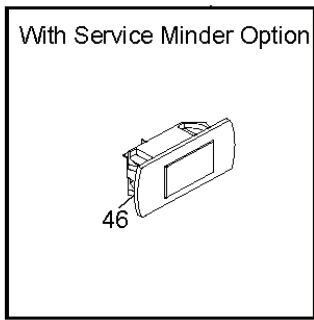
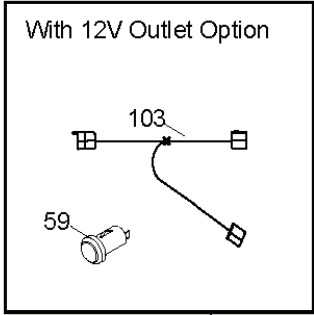


drive-tex\_D6800\_Fender\_41\_r1

REF.	ART. NR	ARTIKELBESKRIVNING	ANMÄRKNING	KIT
1				1
2	532123583	TANGENT		1
15	819131316	BRICKA		1
17	532197297	FJÄDER		1
22	532197660	STÅNG		1
23	532121274	KNOPP		1
26	532197455	FJÄDER		1
29	532197267	STÅNG		1
33	812000001	FLÄNSRING		1
35	532401031	STÅNG		1
37	532121749	BRICKA		1
42	532124872	PEDAL RUBBER		1
49	872110614	BULT		1
50	532194327	REMSKIVA		1
51	873900600	MUTTER		1
52	532194326	REMSKIVA		1
56	532411245	KILREM		1
61	532123666	REMSKIVA		1
64	532196200	AXEL		1
73	874490544	SCREW		1
116	873900500	MUTTER		1
125	817000512	SCREW		1
134	532402430	HÅVARM		1
139	874550412	BULT		1
140	810040400	BRICKA		1
141	819091210	BRICKA		1
155	812000028	KLÄMMA		1
157	532105701	BRICKA		1
158	532194352	REMSTYRARE		1
159	876020412	SPLIT PIN		1
160	532169484	TAPP		1
161	532105709	FJÄDER		1
165	532196212	BUSHING		1
166	532197290	MUTTER		1
167	532405257	SPÄRRHAKE		1
172	532197657	SPÄNNBAND		1
174	532197289	MUTTER		1
175	532198981	AXEL		1
176	532196214	ARM		1
178	532197456	FJÄDER		1
184	532409747	KNOPP		1
185	872110620	BULT		1
186	532194321	DISTANSBRICKA		1
187	819133210	BRICKA		1
188	532194323	LÄNK		1
189	532194317	PLATTA		1
190	532194318	REMSTYRARE		1
192	532150360	MUTTER		1
193	817060512	SCREW		1
195	532197332	FÄSTE		1
202	532199589	LÄNK		1
203	819111116	BRICKA		1
205	532121748	BRICKA		1
221	532403187	FJÄDER		1
232	874780716	BULT		1
233	532405296	BRICKA		1

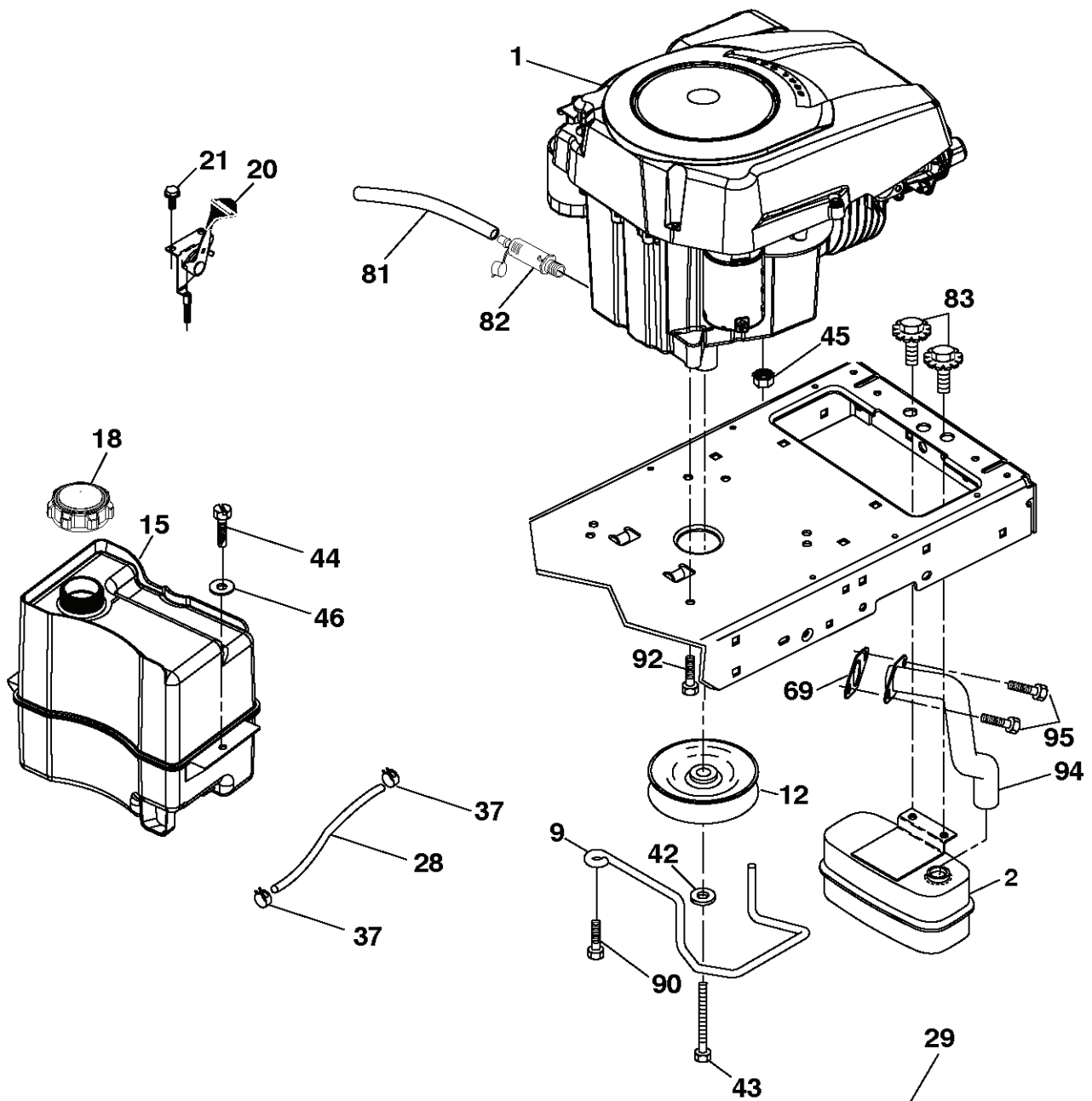


T02S



---

REF.	ART. NR	ARTIKELBESKRIVNING	ANMÄRKNING	KIT
1	532163465	BATTERI		1
2	874760412	BULT		1
8	532193228	LÅDA		1
16	532176138	MIKROBRYTARE		1
21	532400252	SELE		1
22	532004152	GLÖDLAMPA		1
25	532412894	CABLE.STARTER.GGA.BL/R*SUBS/2*		1
26	532175158	SÄKRING		1
27	873510400	MUTTER		1
28	532198885	KABEL		1
29	532401545	BRYTARE		1
30	532193350	TÄNDMODUL		1
33	532411935	TANGENT		1
34	532110712	BRYTARE		1
40	532401098	KABEL		1
41	817720408	SCREW		1
42	532131563	KÅPA		1
43	532192507	SOLENOID		1
55	817060512	SCREW		1
71	532400449	KABEL		1
79	532175242	HÅLLARE		1
87	532197802	BRYTARE		1
90	532400725	KÅPA		1
92	532196615	KABLAGE KPL		1
93	532192540	SCREW		1
94	532191834	MODULE.REVERSE.ROS		1

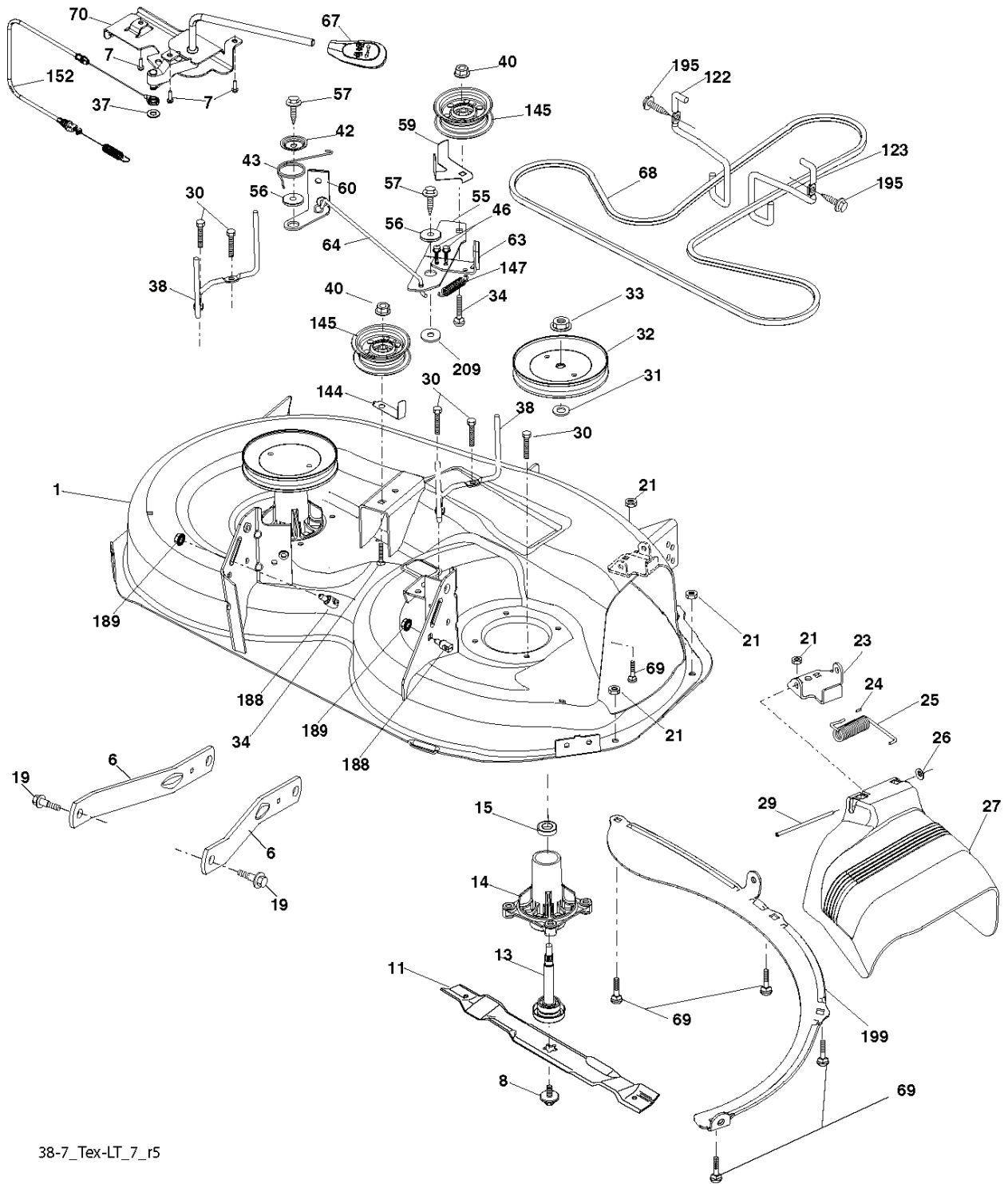


**SPARK ARRESTER KIT**

engine-tex\_34-kohl

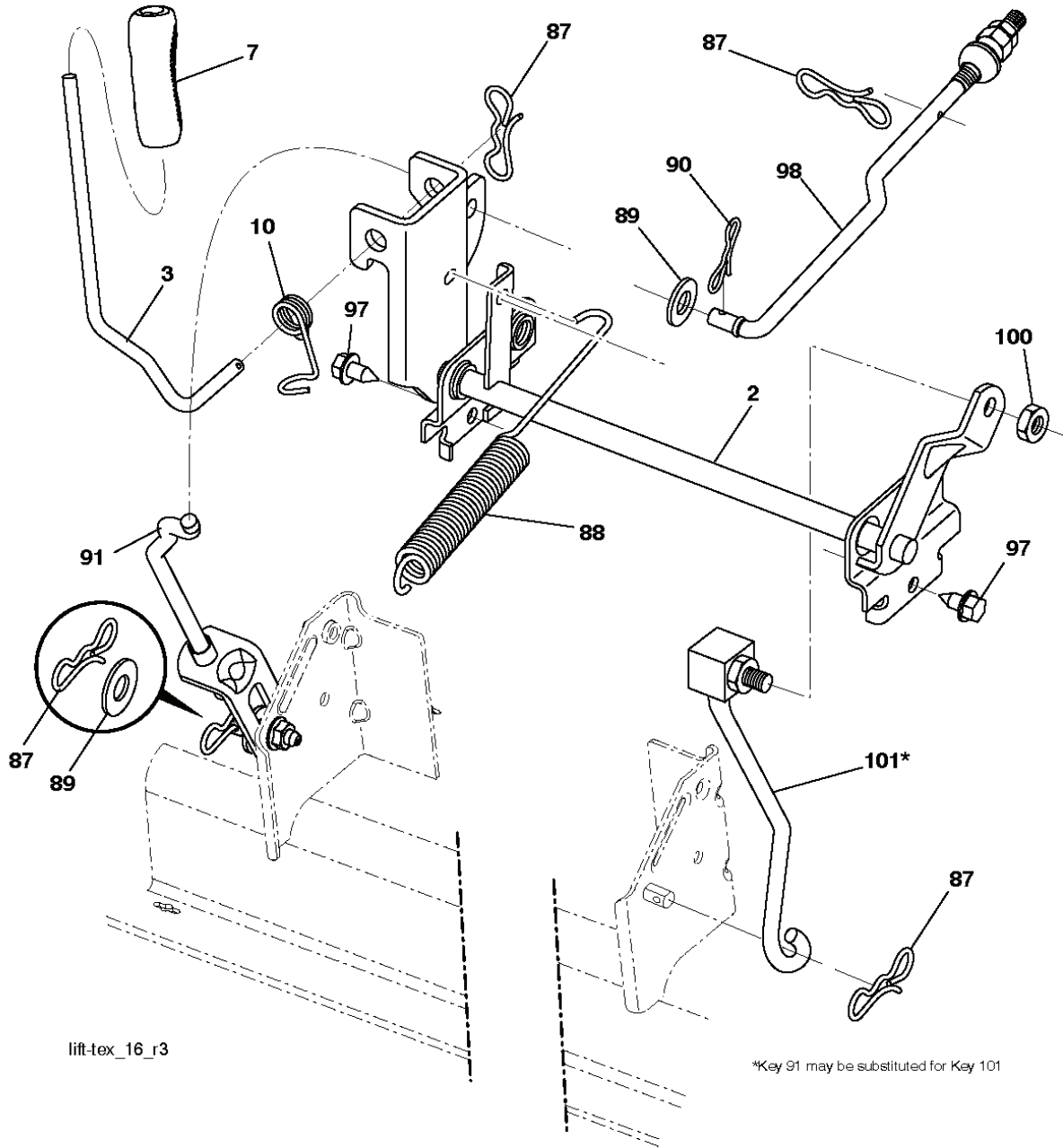
---

REF.	ART. NR	ARTIKELBESKRIVNING	ANMÄRKNING	KIT
1				1
2	532188655	LJUDDÄMPARE		1
9	532194319	REMSTYRARE		1
12	532401985	REMSKIVA		1
15	532407545	BRÄNSLETANK		1
18	532197725	PLUGG		1
20	532183897	REGLAGE		1
21	532416358	SCREW		1
28	532137040	SLANG		1
29	532137180	SPARK ARRESTER KIT		1
37	532123487	SLANGKLÄMMA		1
42	810040700	BRICKA		1
43	532173937	BULT		1
44	817670412	SCREW		1
45	873510400	MUTTER		1
46	819091416	BRICKA		1
69	532185909	PACKNING		1
81	532148456	RÖR		1
82	532181654	PLUGG		1
83	532171877	BULT		1
90	817000616	SCREW		1
92	817120616	SCREW		1
94	532188654	TUBE EXHAUST		1
95	532192334	SCREW		1



38-7\_Tex-LT\_7\_r5

REF.	ART. NR	ARTIKELBESKRIVNING	ANMÄRKNING	KIT
1	532194251	HUS		1
6	532195186	ARM		1
7	532416358	SCREW		1
8	532193003	SCREW		1
11	532193957	RIDE ON BLADE		1
13	532192872	AXEL KPL		1
14	532187281	LAGERHUS		1
15	532110485	LAGER		1
19	532196539	BULT		1
21	873680500	MUTTER		1
23	532192557	GÅNGJÄRN		1
24	532105304	NAVKAPSEL		1
25	532197026	VRIDFJÄDER		1
26	532110452	MUTTER		1
27	532401472	DEFLEKTOR		1
29	532131491	AXEL		1
30	532173984	SCREW		1
31	532187690	BRICKA		1
32	532199789	REMSKIVA		1
33	532400234	MUTTER		1
34	872110612	BULT		1
37	819131316	BRICKA		1
38	532199541	REMSTYRARE		1
40	873900600	MUTTER		1
42	532198410	FJÄDER		1
43	532197256	FJÄDER		1
46	532137729	SCREW		1
55	532197249	ARM		1
56	532199092	DISTANSBRICKA		1
57	817000616	SCREW		1
59	532141043	SKYDD		1
60	532199471	ARM		1
63	532199470	ARM		1
64	532199790	LÄNK		1
67	532403012	HANDTAG		1
68	532408381	REM		1
69	872140505	BULT		1
70	532401246	KOPPLING		1
122	532197258	REMSTYRARE		1
123	532197259	REMSTYRARE		1
144	532193414	REMSTYRARE		1
145	532193197	REMSKIVA		1
147	532401872	FJÄDER		1
152	532408714	KABEL		1
188	532195161	STUD		1
189	873900500	MUTTER		1
195	817000612	SCREW		1
199	532400095	SKYDD		1
209	819133210	BRICKA		1
--	532192870	SPINDEL	Mandrel Assembly (Includes housing, shaft and shaft hardware only pulley not included)	1
--	532400422	KLIPPAGGREGAT		1

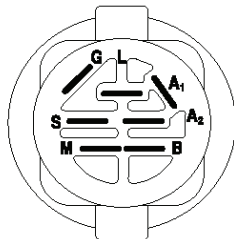
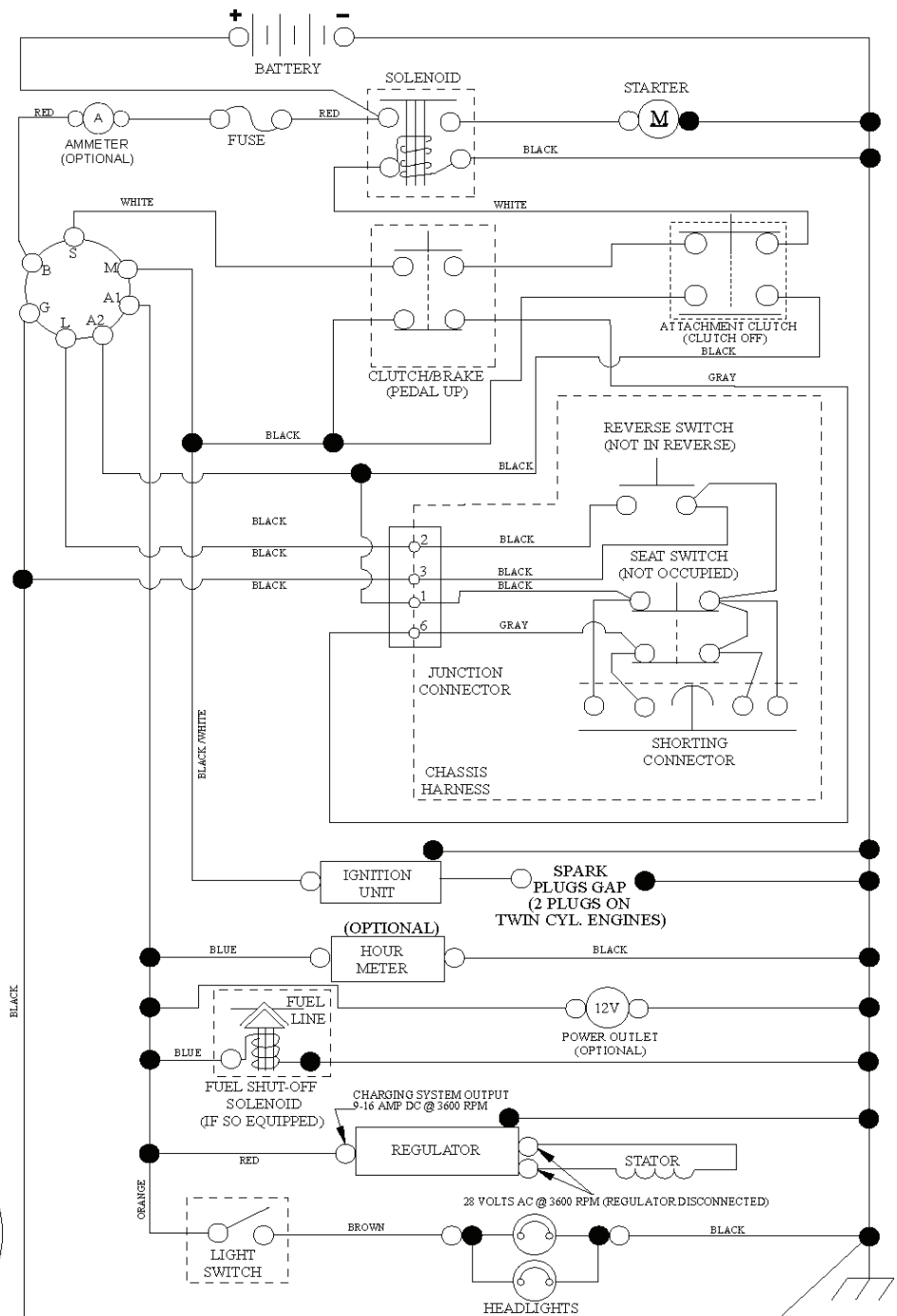


lift-tex\_16\_r3

---

REF.	ART. NR	ARTIKELBESKRIVNING	ANMÄRKNING	KIT
2	532195223	AXEL		1
3	532195231	HÄVARM		1
7	532411555	GREPP		1
10	532196314	FJÄDER		1
87	532194209	FJÄDER		1
88	532410710	FJÄDER		1
89	819191912	BRICKA		1
90	532194208	TAPP		1
91	532195181	LÄNK		1
97	817000612	SCREW		1
98	532195270	LÄNK		1
100	873930600	MUTTER		1
101	532407003	LÄNK		1

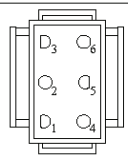




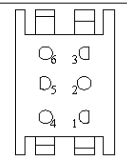
**IGNITION SWITCH**

POSITION	CIRCUIT	"MAKE"
OFF	M+G+A1	
RUN/OVERRIDE	B+A1	
RUN	B+A1	L+A2
START	B + S + A1	

03107



CHASSIS HARNESS CONNECTOR (MATING SIDE)



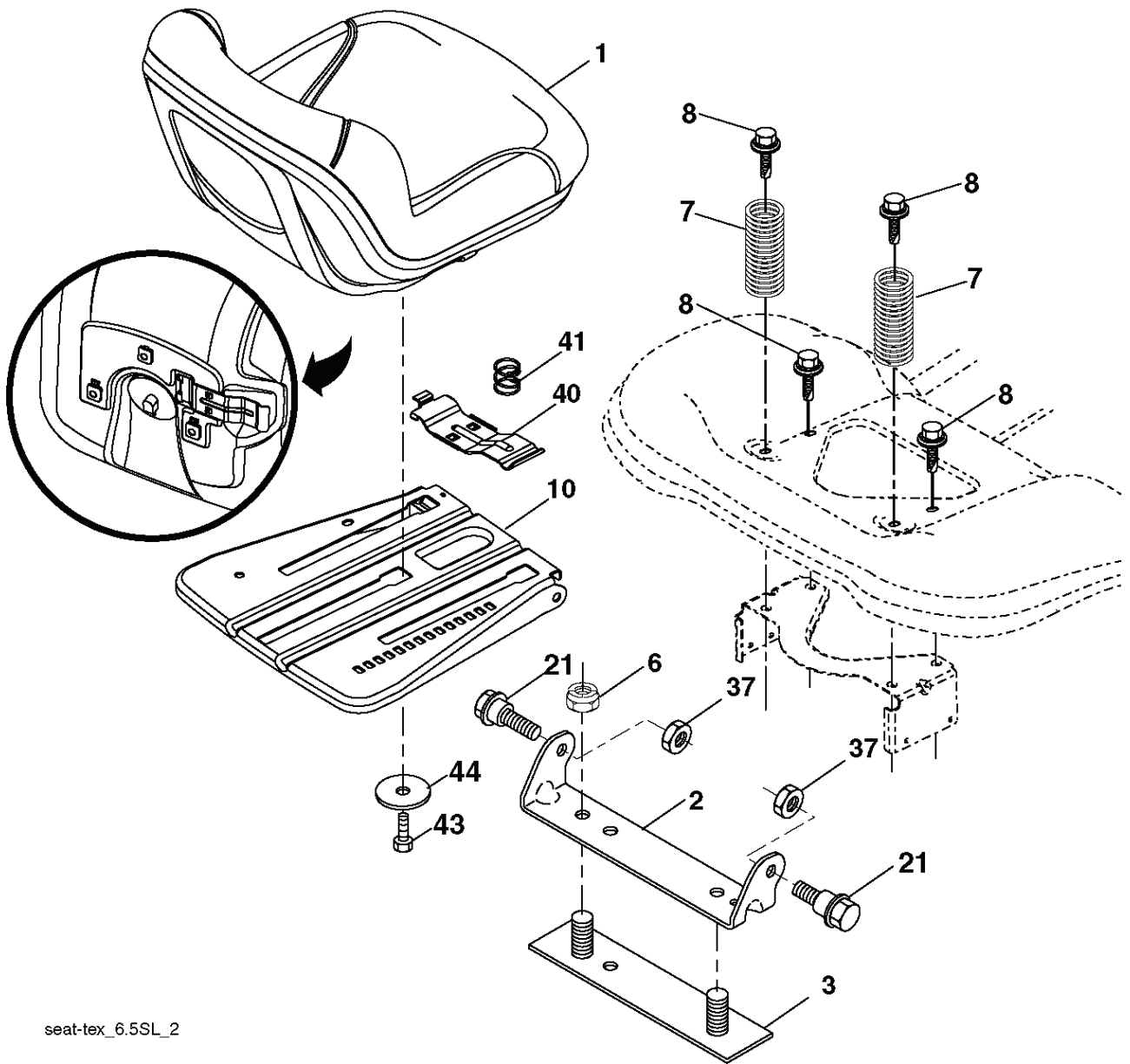
DASH HARNESS CONNECTOR (MATING SIDE)

**WIRING INSULATED CLIPS**  
 NOTE: IF WIRING INSULATED CLIPS WERE REMOVED FOR SERVICING OF UNIT, THEY SHOULD BE RE-INSTALLED TO PROPERLY SECURE YOUR WIRING.

● NON-REMOVABLE CONNECTIONS

○ REMOVABLE CONNECTIONS





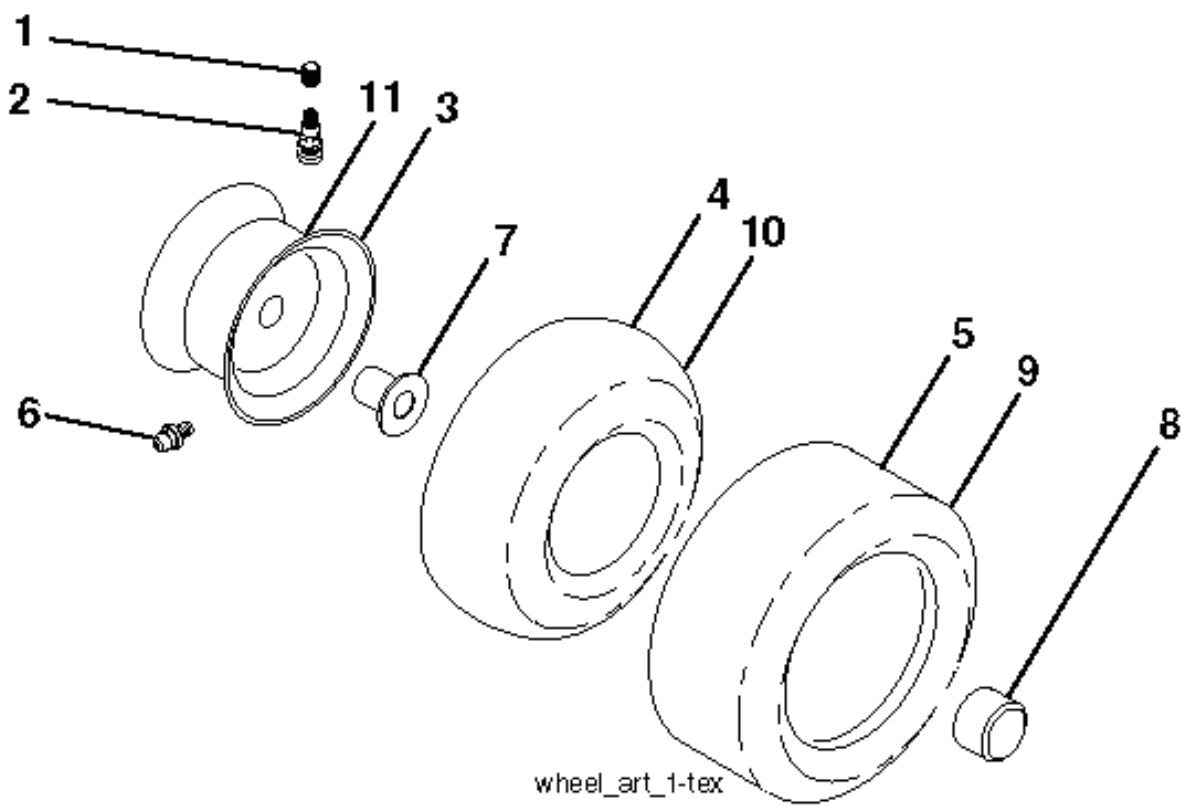
seat-tex\_6.5SL\_2

---

REF.	ART. NR	ARTIKELBESKRIVNING	ANMÄRKNING	KIT
1	532197518	SÅTE		1
2	532180166	FÄSTE		1
3	532140675	SPÄNNBAND		1
6	873800600	MUTTER		1
7	532124181	FJÄDER		1
8	532171877	BULT		1
10	532196977	PLATTA		1
21	532171852	BULT		1
37	873800500	LOCK NUT		1
40	532197661	HANDTAG		1
41	532198200	FJÄDER		1
43	874760612	BULT		1
44	819133812	BRICKA		1



REF.	ART. NR	ARTIKELBESKRIVNING	ANMÄRKNING	KIT
1	532416480	RATT		1
--	532193651	RATT		1
2	532418168	AXEL		1
4	532403087	SPINDEL		1
5	532403088	SPINDEL		1
6	532124931	BRICKA		1
7	532121748	BRICKA		1
8	812000029	FLÄNSRING		1
9	532121232	NAVKAPSEL		1
13	532121749	BRICKA		1
14	810040600	BRICKA		1
15	873540600	MUTTER		1
16	532196074	AXEL		1
19	532194729	PLATTA		1
20	532411139	RATTRÖR		1
21	532186737	ADAPTER		1
22	532194845	BUSHING		1
26	532415987	KNOPP		1
--	532193652	NAV		1
28	817000612	SCREW		1
33	810040500	BRICKA		1
35	532194732	PLATTA		1
45	819113812	BRICKA		1
50	873900600	MUTTER		1
53	532188967	BRICKA		1
54	874760636	BULT		1
55	532414736	DISTANSBRICKA		1
57	532407465	FÄSTE		1
58	532194747	BULT		1
59	532194748	BRICKA		1
60	873971000	MUTTER		1
61	532194740	LÄNK		1
62	532194741	LÄNK		1
63	817000512	SCREW		1
64	532199849	FJÄDERFÄSTE		1
65	532194734	FÄSTE		1
66	871020748	BULT		1
67	532194737	BUSHING		1
68	873900700	MUTTER		1
69	532199162	BRICKA		1
70	532196197	FÄSTE		1
71	532196075	AXEL		1
72	874780572	BULT		1
74	532124937	BEARING COL. STRG.		1
78	532057079	BRICKA		1
228	532404484	DEKAL		1



REF.	ART. NR	ARTIKELBESKRIVNING	ANMÄRKNING	KIT
1	532059192	CAP VALVE		1
2	532065139	NIPPEL		1
3	532138336	FÄLG		1
4	532059904	SLANG		1
5	532106222	DÄCK		1
6	532124957	FITTING		1
7	532124959	LAGER		1
8	532175039	NAVKAPSEL		1
9	532420531	DÄCK		1
10	532124926	SLANG		1
11	532138337	RINGDREV		1
--	532144334	SEALING FOAM		1
	ART. NR		ANMÄRKNING	KIT